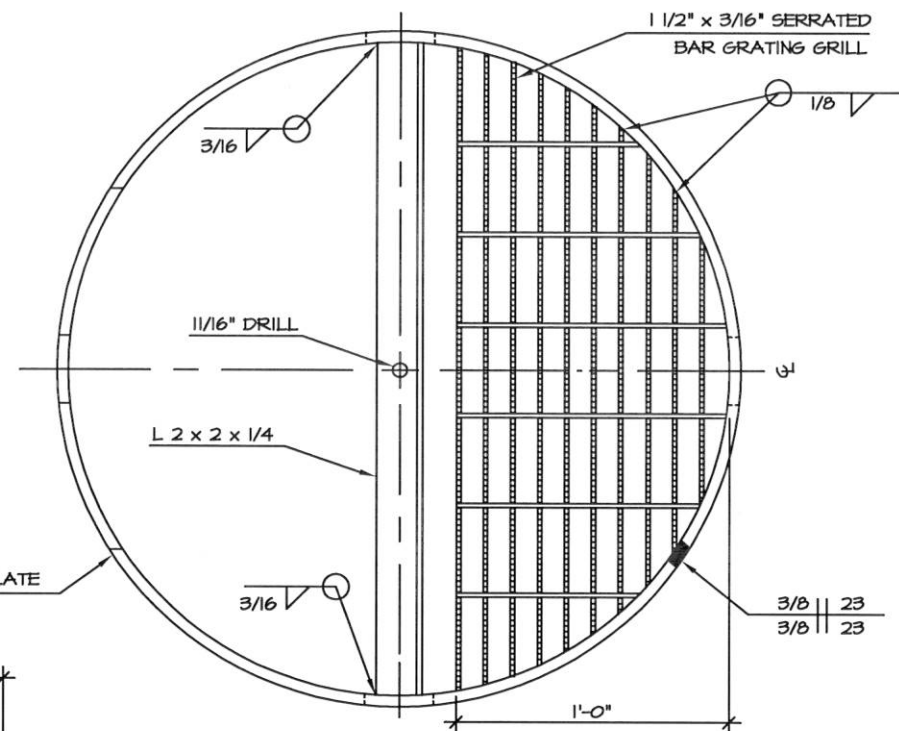




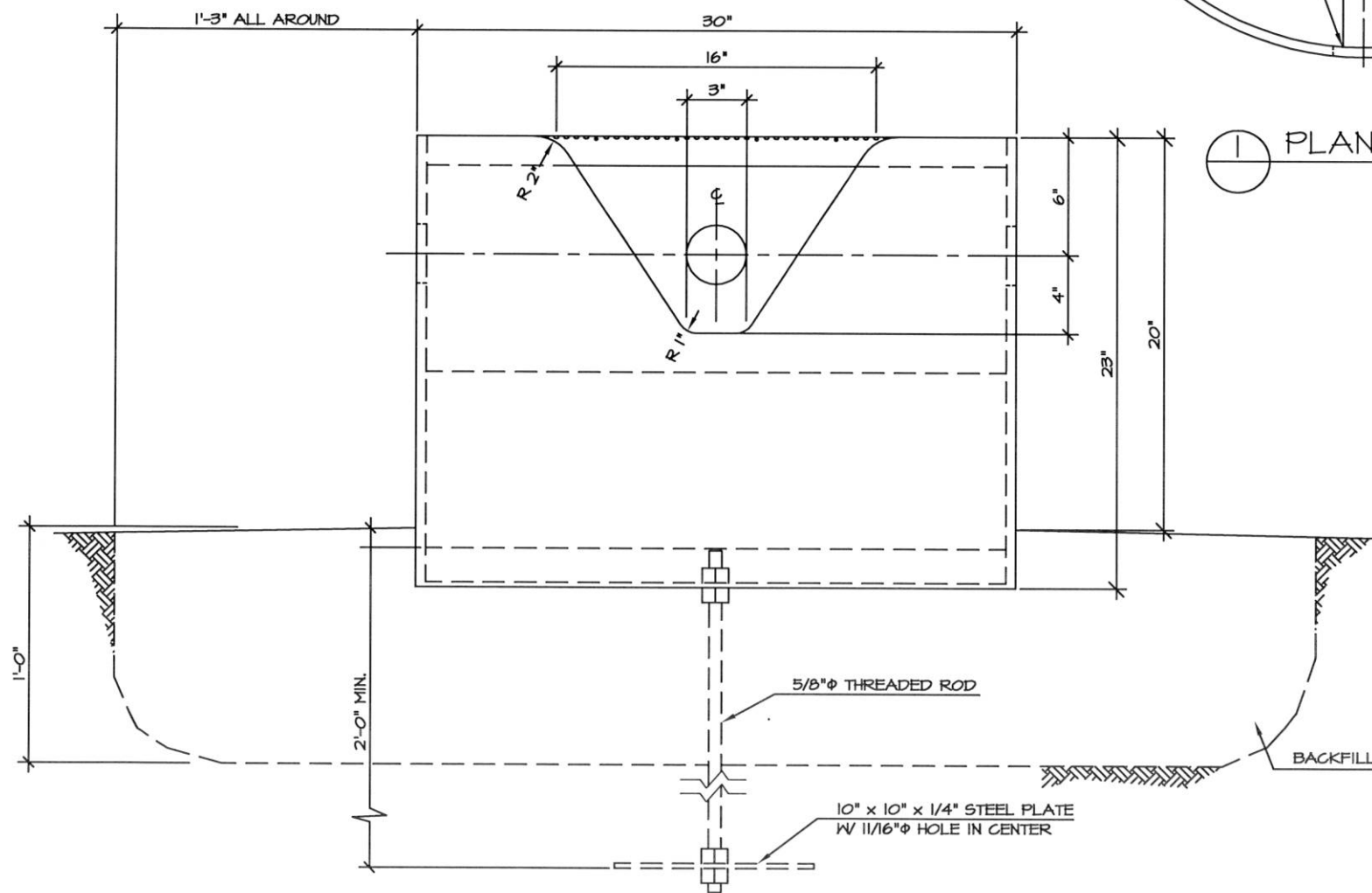
PREPARED: DH  
 DRAWN: MD  
 REVIEWED: DH  
 DATE: JAN. 03

SHEET 1  
 C-4  
 OF 1 SHEETS

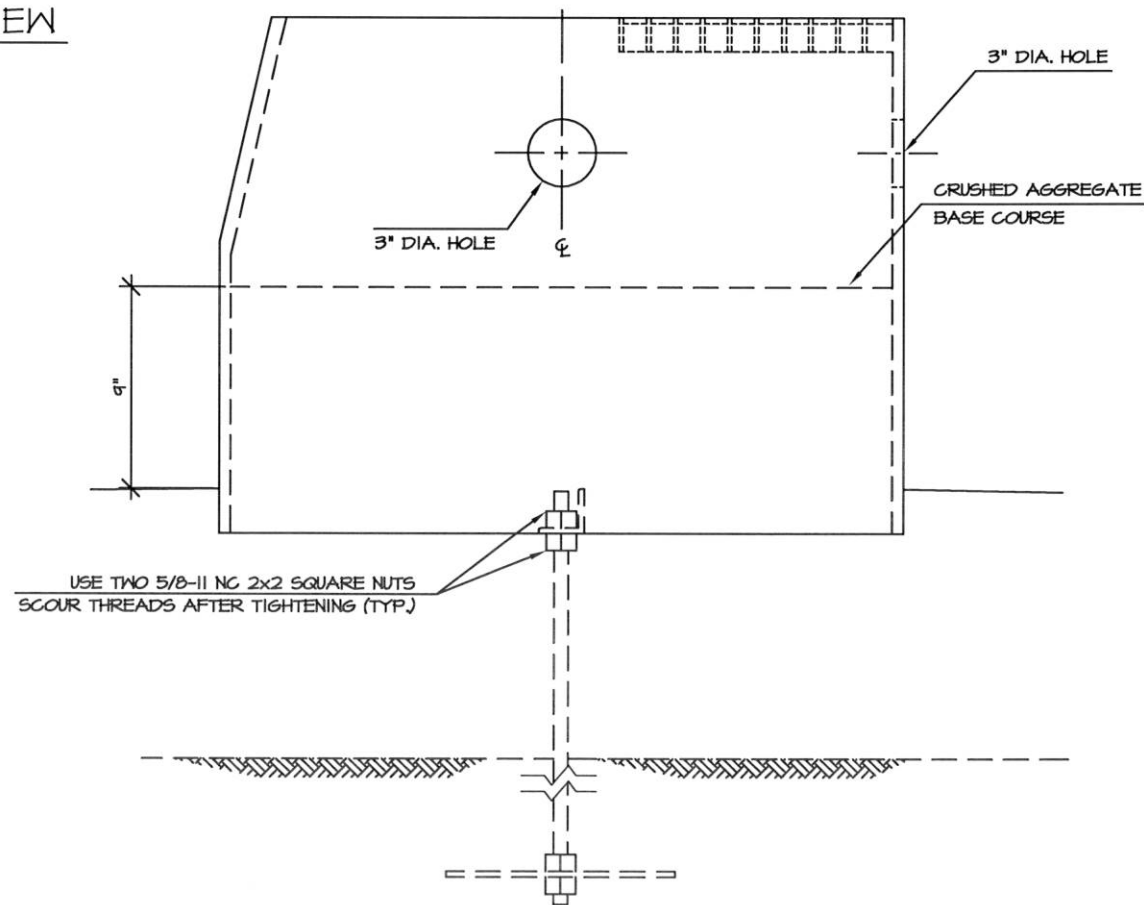
NOTE: GRIND SMOOTH ALL CUT EDGES AND WELDS



1 PLAN VIEW



2 FRONT VIEW



3 SIDE VIEW

USE TWO 5/8-11 NC 2x2 SQUARE NUTS  
 SCOUR THREADS AFTER TIGHTENING (TYP.)

FOR INFORMATIONAL USE ONLY  
 Alaska State Parks