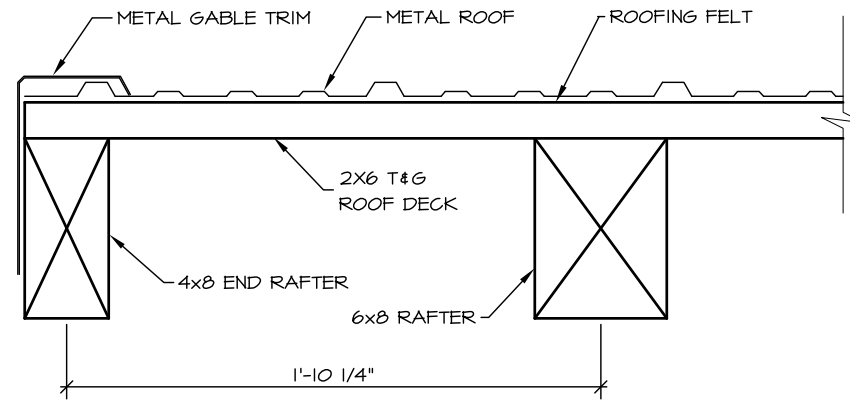


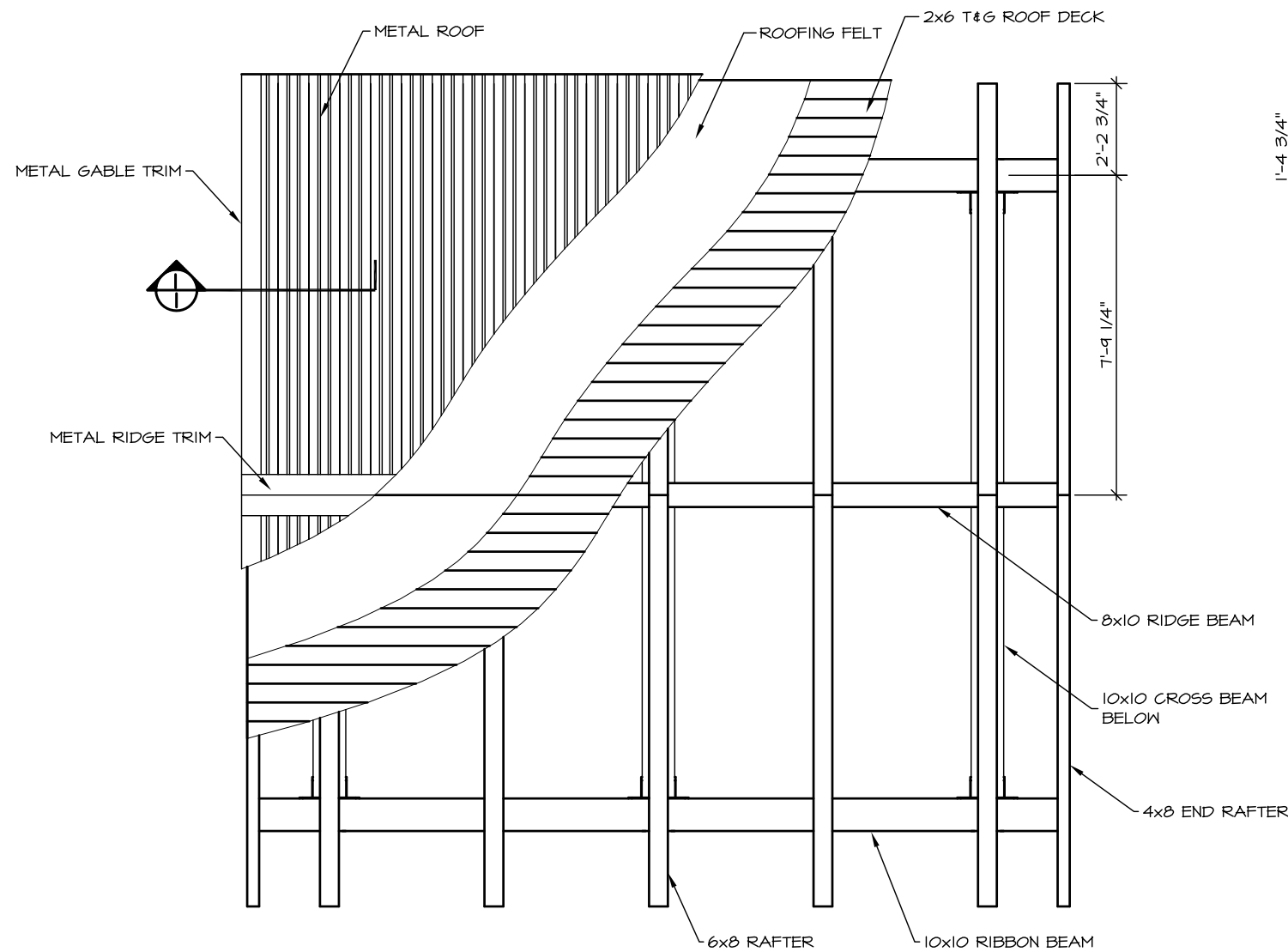


PREPARED: WME
 DRAWN: WME
 REVIEWED: DH
 DATE: MAY 97

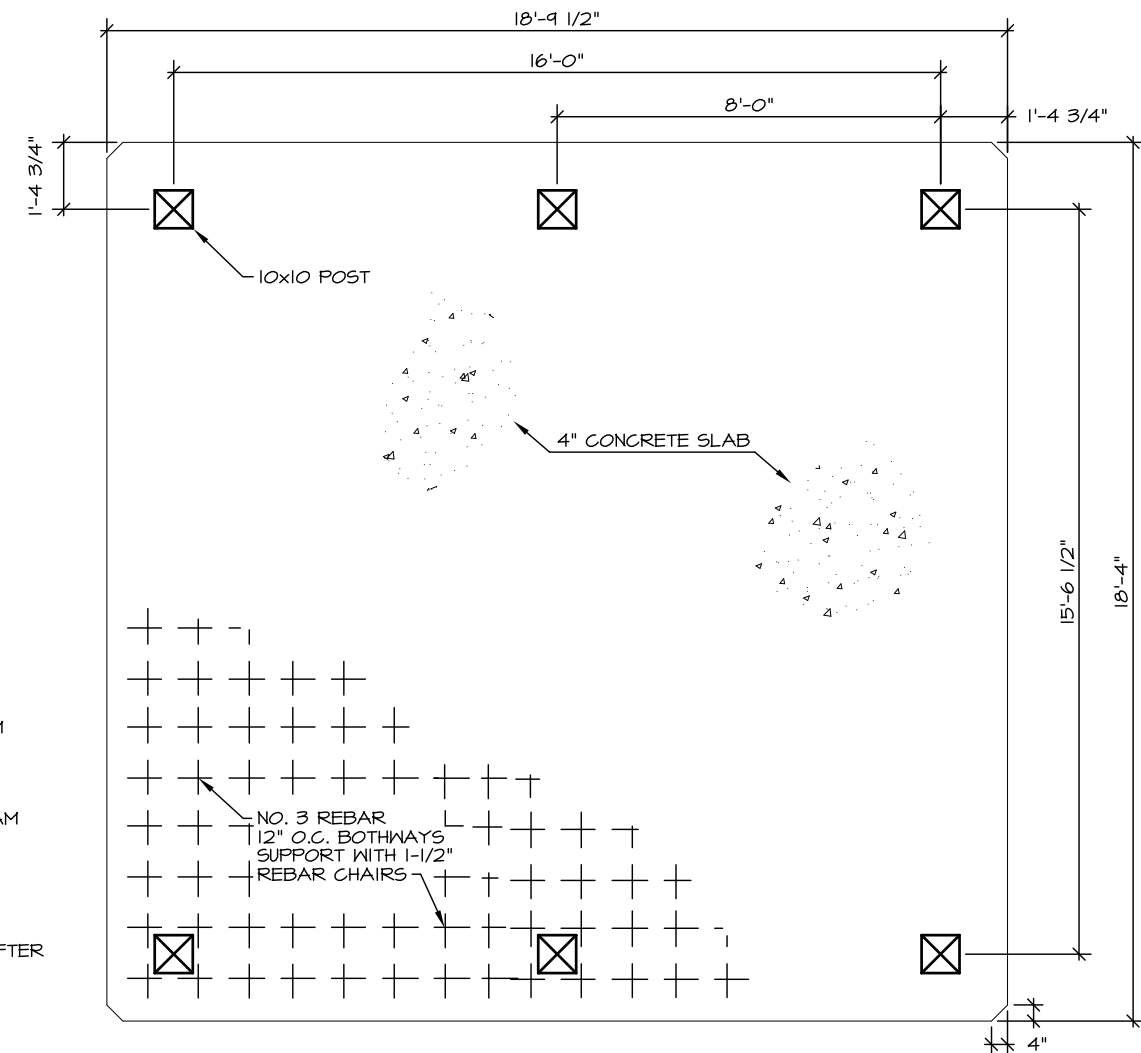
SHEET 1
 OF 4 SHEETS



SECTION
 GABLE



2 ROOF PLAN



3 FLOOR PLAN
 POST LAYOUT

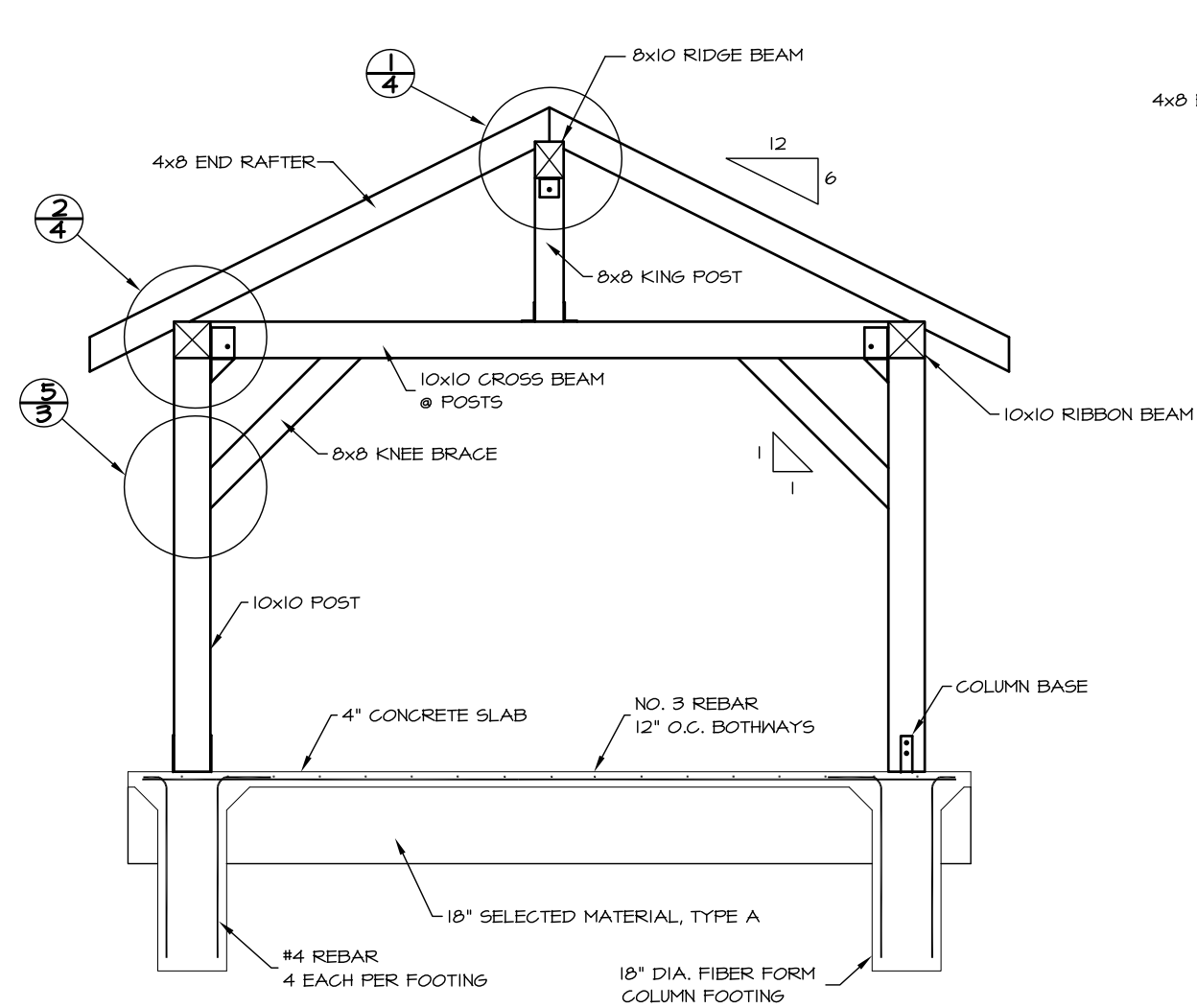
FOR INFORMATIONAL USE ONLY
 Alaska State Parks

NO.	REVISION	DATE	APPROVED
10	CHANGED STATE PARK LOGO	04/10	MPS
9	CHANGED TITLE BLOCK	12/07	MPS
8	REPLACED STAMP	3/04	MPS
7	REPLACED STAMP	3/02	DH

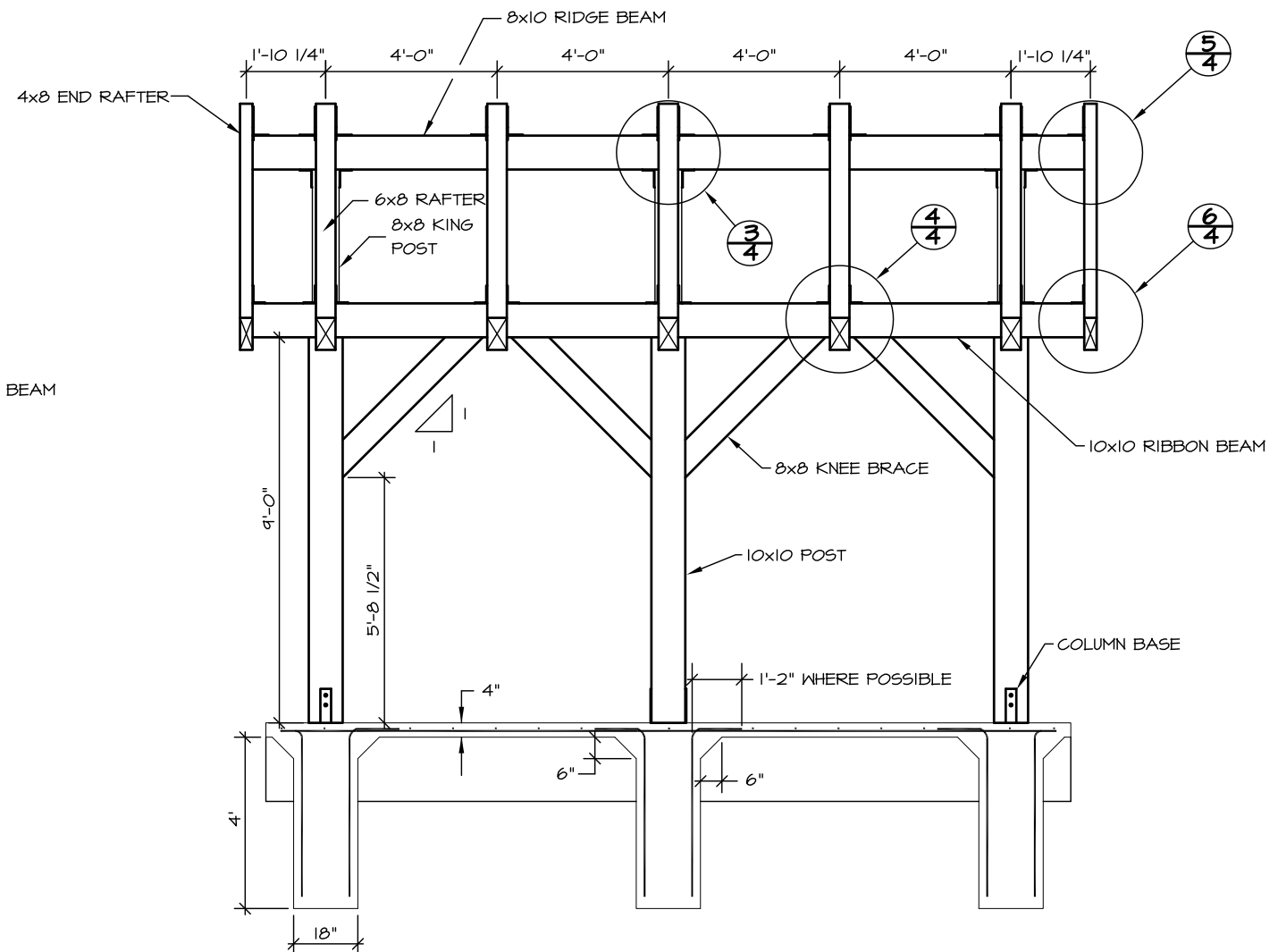


PREPARED: WME
 DRAWN: WME
 REVIEWED: DH
 DATE: MAY 97

SHEET 2
 OF 4 SHEETS



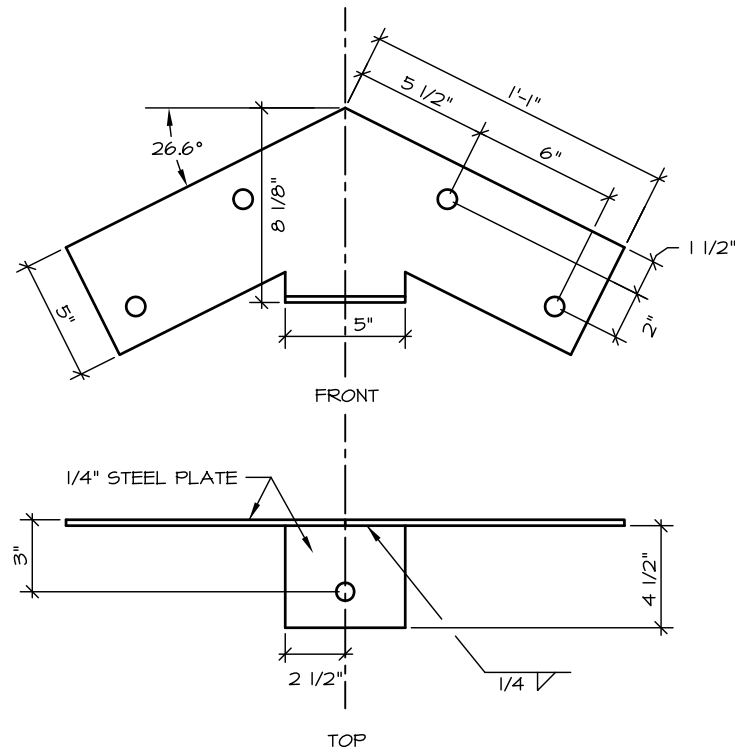
1 END
2 STRUCTURE



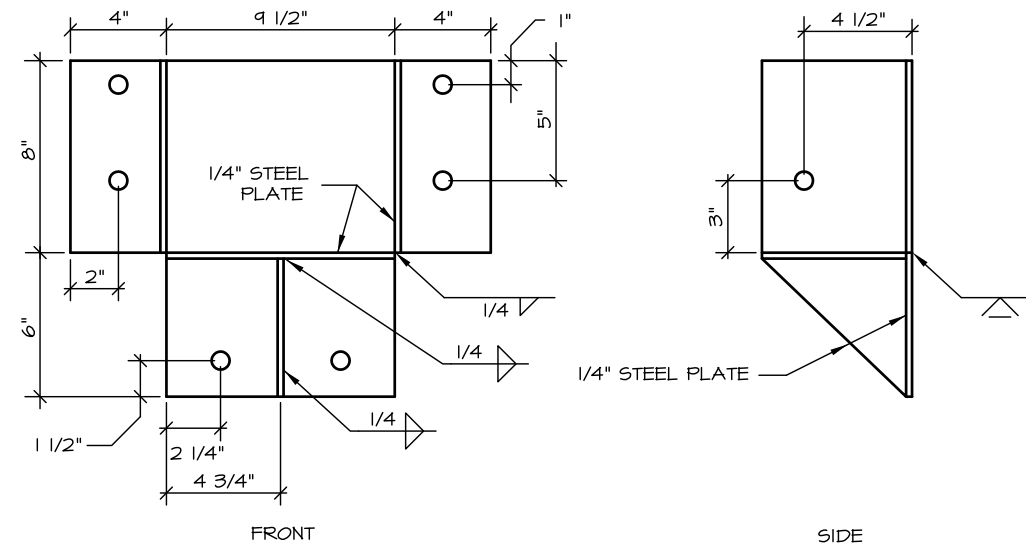
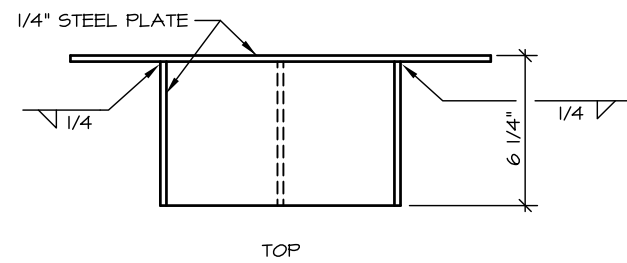
2 SIDE
2 STRUCTURE

FOR INFORMATIONAL USE ONLY
 Alaska State Parks

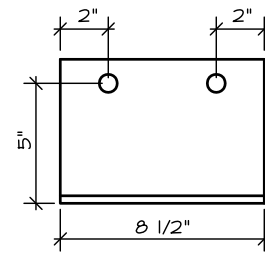
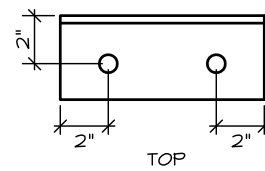
NO.	REVISION	DATE	APPROVED
12	CHANGED STATE PARK LOGO	04/10	MPS
11	CHANGED TITLE BLOCK	12/07	MPS
10	REPLACED STAMP	3/04	MPS
9	REPLACED STAMP	3/02	DH
8	SHORTENED STRUCTURE BY 1'	MAR 01	DH



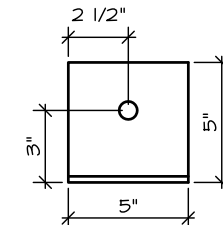
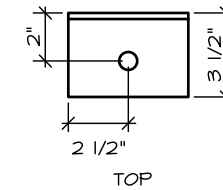
1/3 RIDGE BEAM BRACKET



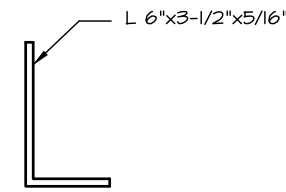
2/3 COLUMN TO BEAM BRACKET



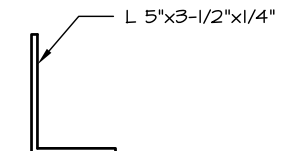
3/3 RAFTER ANGLE BRACKET



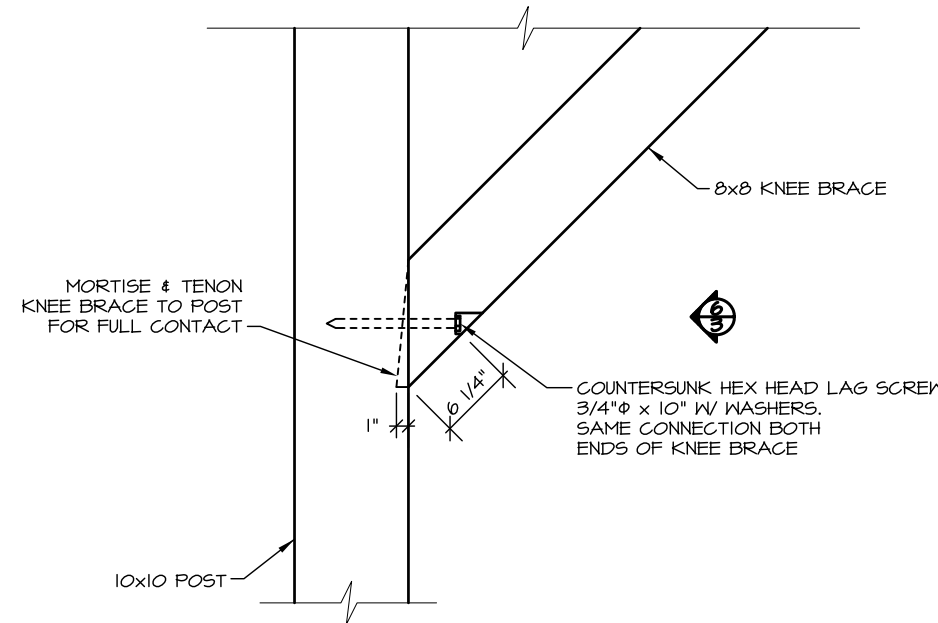
4/3 KING POST ANGLE BRACKET



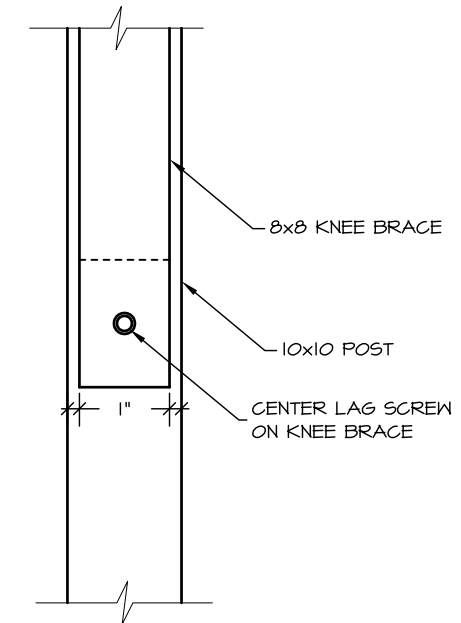
SIDE



SIDE



5/3 DETAIL KNEE BRACE CONNECTION



6/3 SIDE KNEE BRACE CONNECTION

FOR INFORMATIONAL USE ONLY
Alaska State Parks

NO.	REVISION	DATE	APPROVED
7	CHANGED STATE PARKS LOGO	04/10	MPS
6	CHANGED TITLE BLOCK	12/07	MPS
5	REDESIGNED ANGLE OF HEX HEAD LAG SCREW (1/3)	12/04	MPS
4	REPLACED STAMP	3/04	MPS
3	REPLACED STAMP	3/02	DH
2	CLARIFIED NOTES	AUG 01	DH



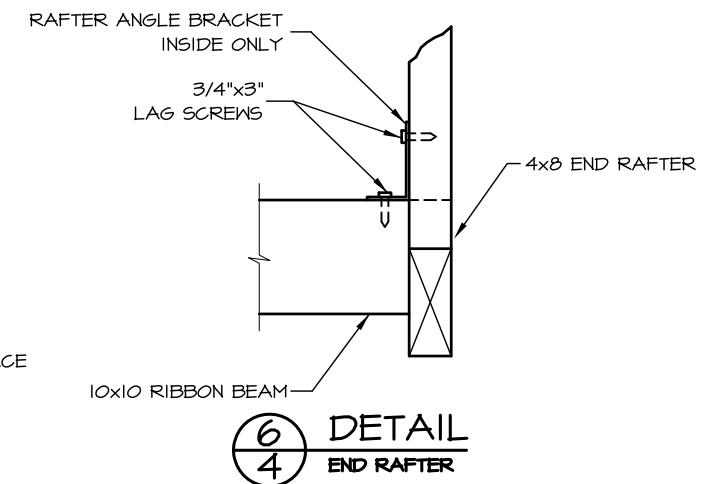
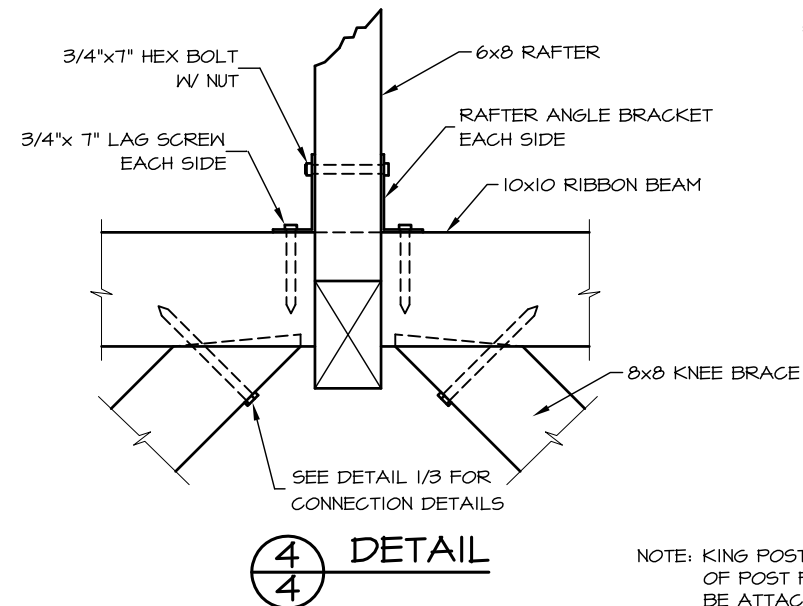
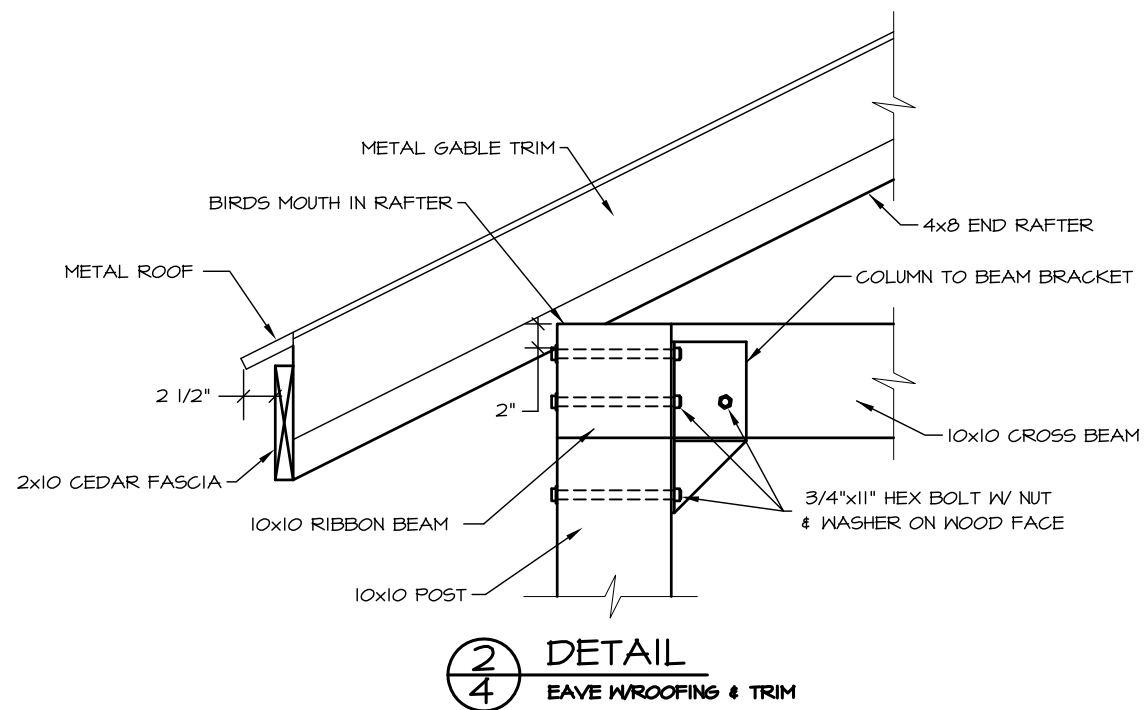
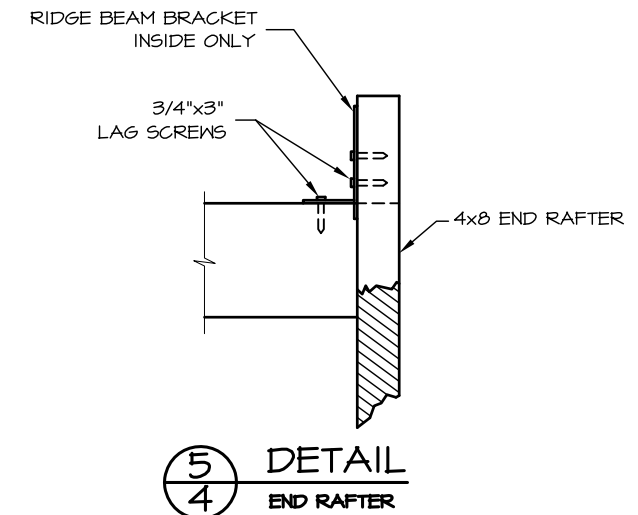
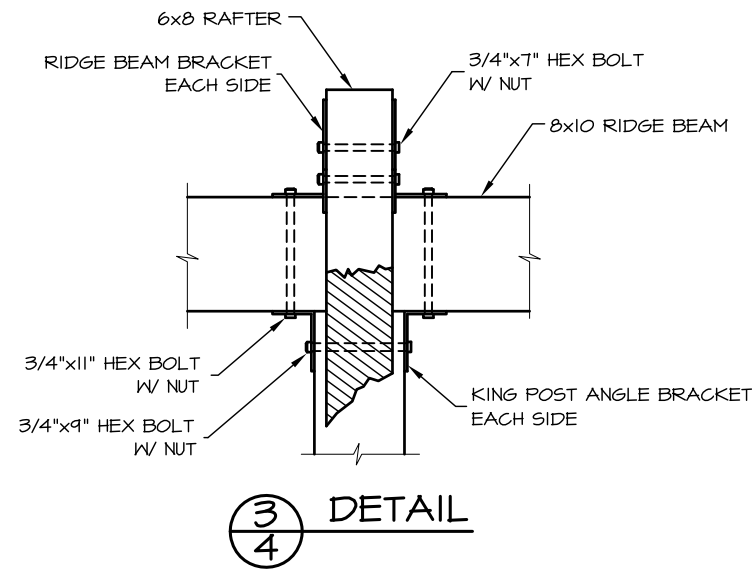
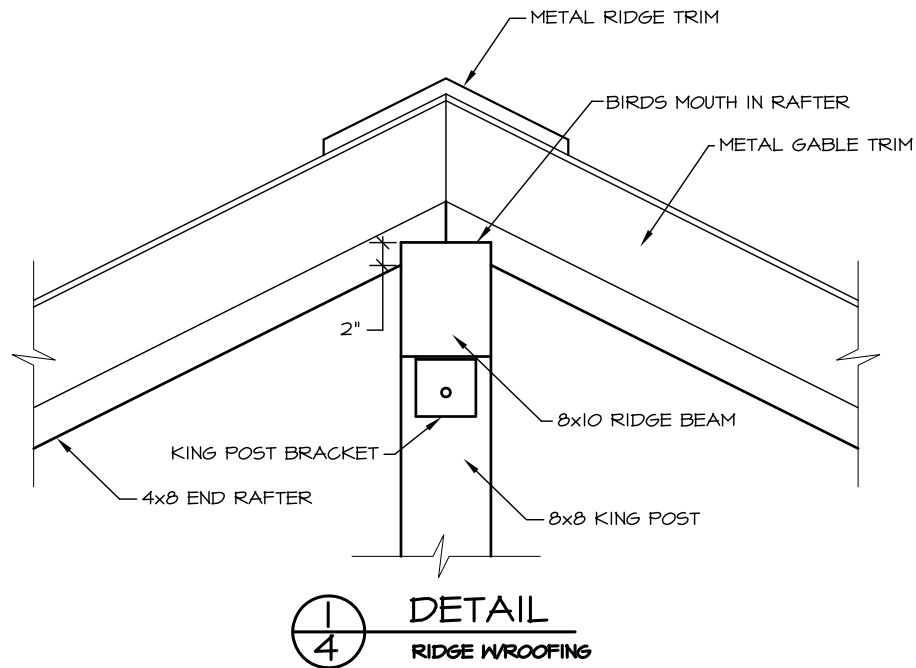
PREPARED: WME
DRAWN: WME
REVIEWED: DH
DATE: MAY 97

SHEET 3
OF 4 SHEETS



PREPARED: WME
 DRAWN: WME
 REVIEWED: DH
 DATE: MAY 97

SHEET 4
 OF 4 SHEETS



NOTE: KING POST ANGLE BRACKET TO BE USED AT BOTTOM OF POST FOR CONNECTING TO CROSS BEAM SHALL BE ATTACHED TO CROSS BEAM WITH 3/4"x3" LAG SCREWS

FOR INFORMATIONAL USE ONLY
 Alaska State Parks

NO.	REVISION	DATE	APPROVED
5	CHANGED STATE PARK LOGO	04/10	MPS
4	CHANGED TITLE BLOCK	12/07	MPS
3	REPLACED STAMP	3/04	MPS
2	REPLACED STAMP	3/02	DH
1	ADD NOTE	DEC 97	DH