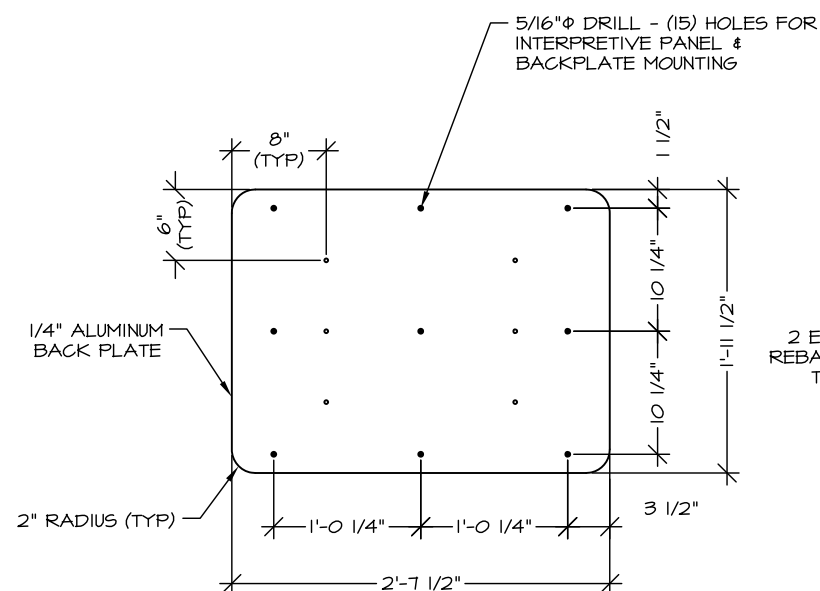
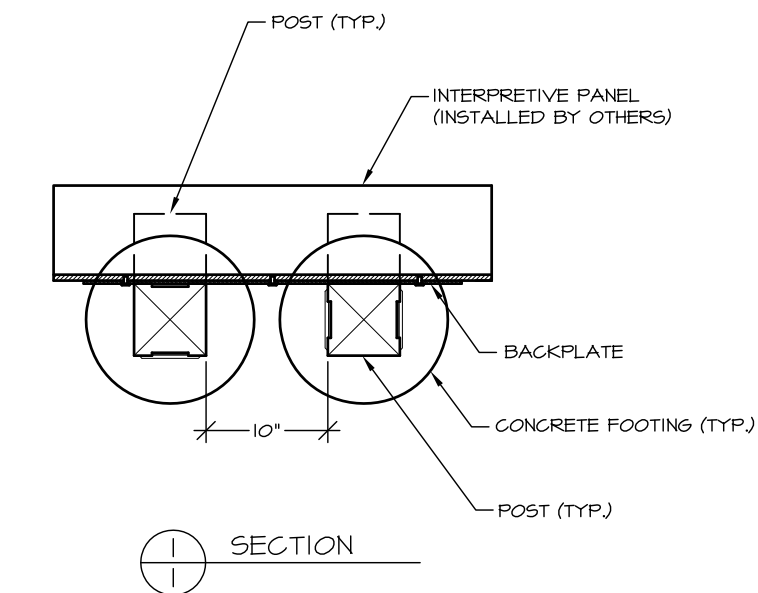
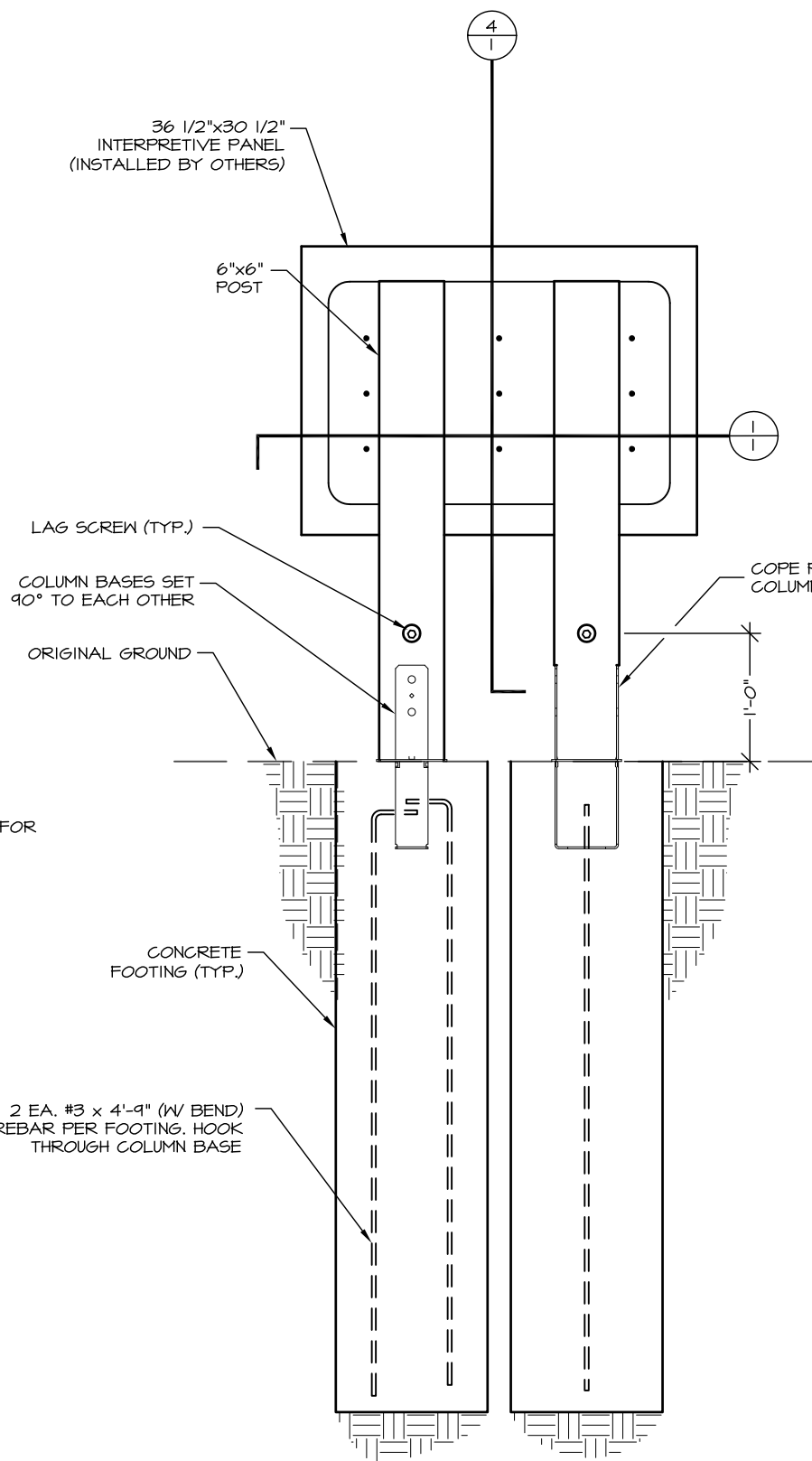


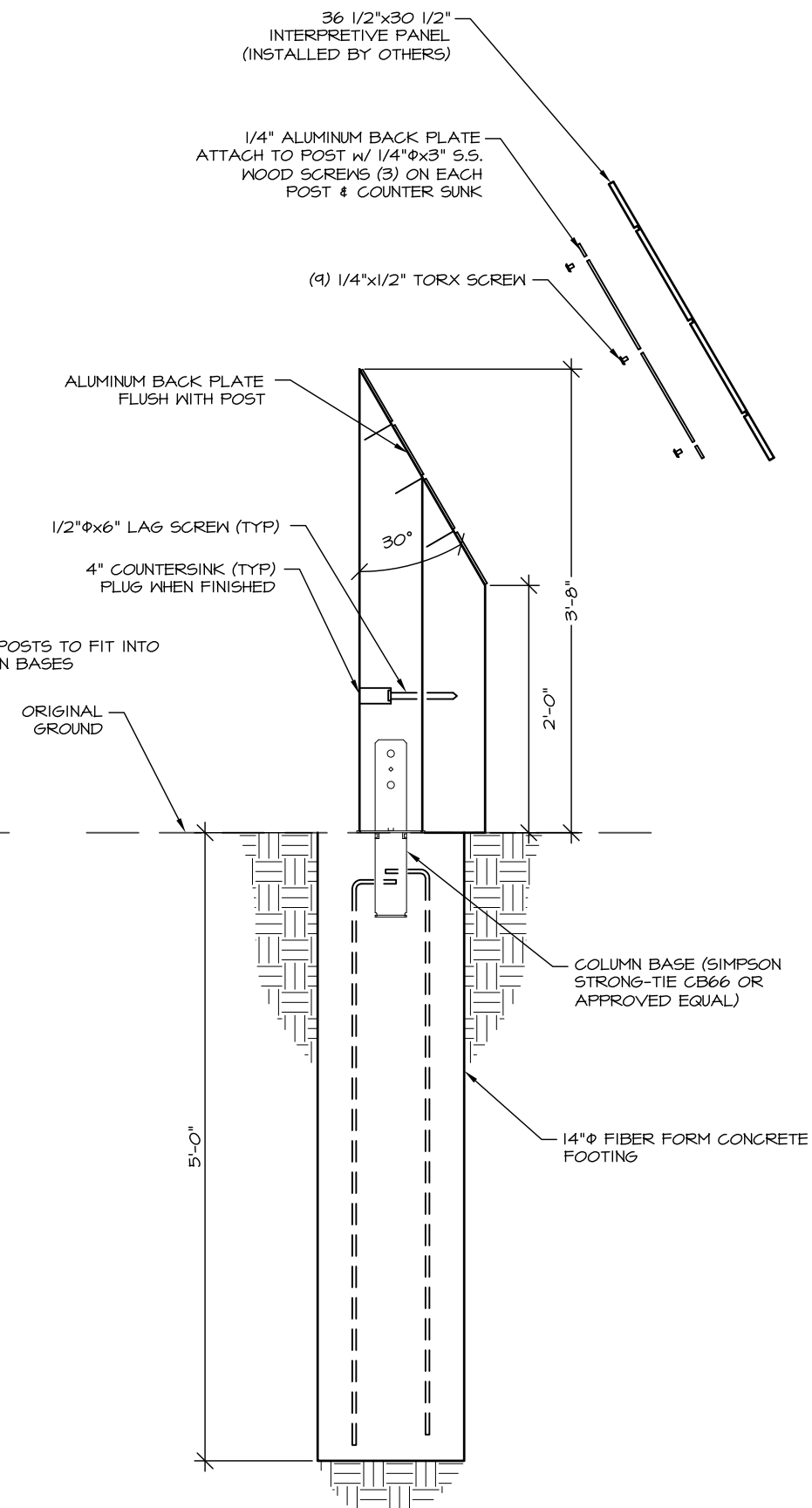
FOR INFORMATIONAL USE ONLY
Alaska State Parks



2 ALUMINUM BACK PLATE



3 BACK ELEVATION



4 SECTION



PREPARED: JAM
DRAWN: JAM
REVIEWED: D&C
DATE: 03/18/10

SHEET 1
S-11D

NO.	REVISION	DATE APPROVED	OF 1 SHEETS