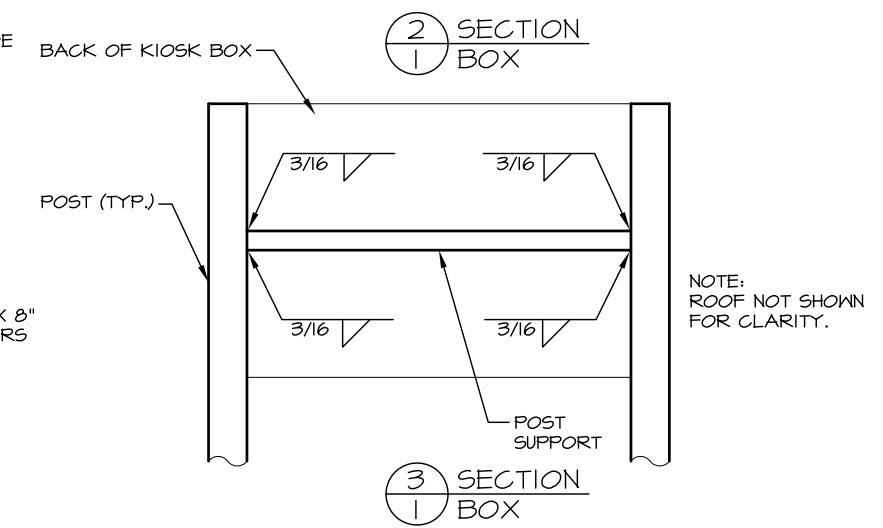
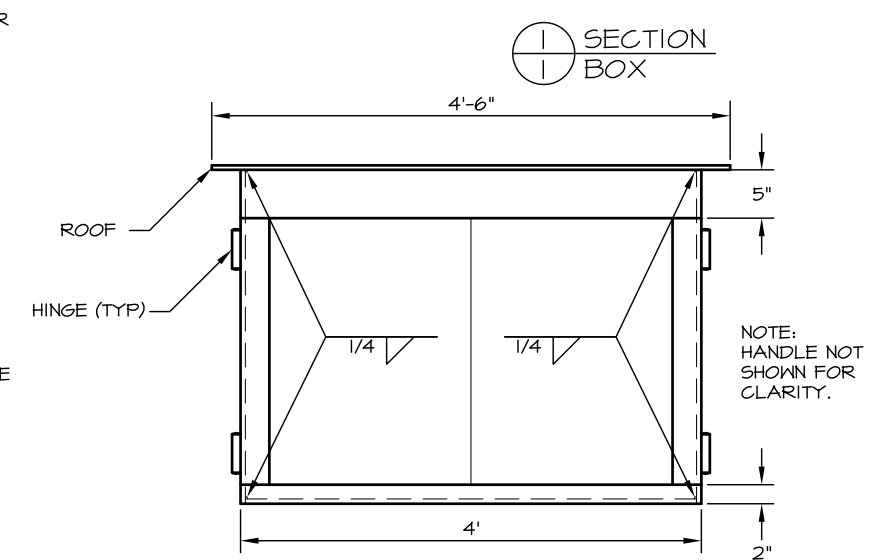
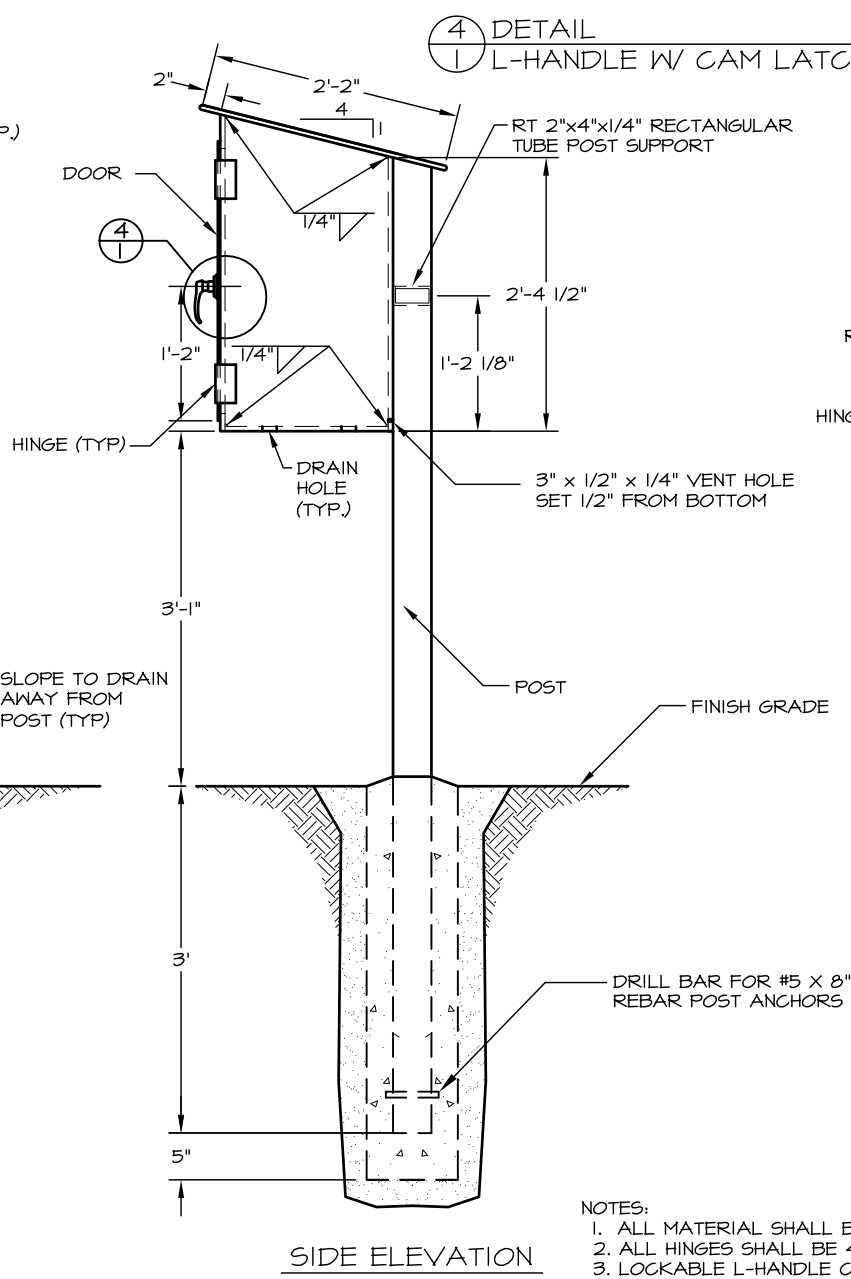
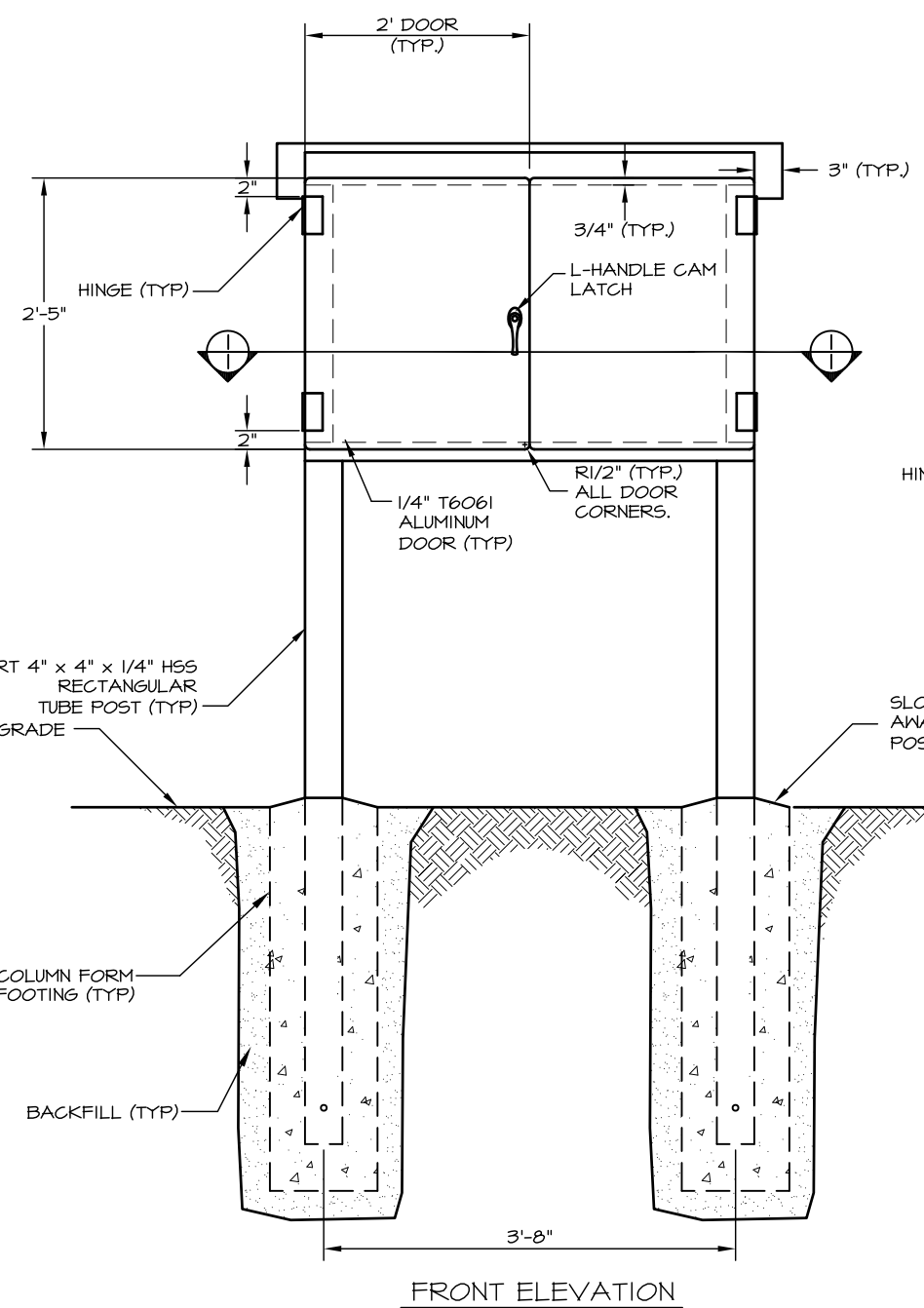
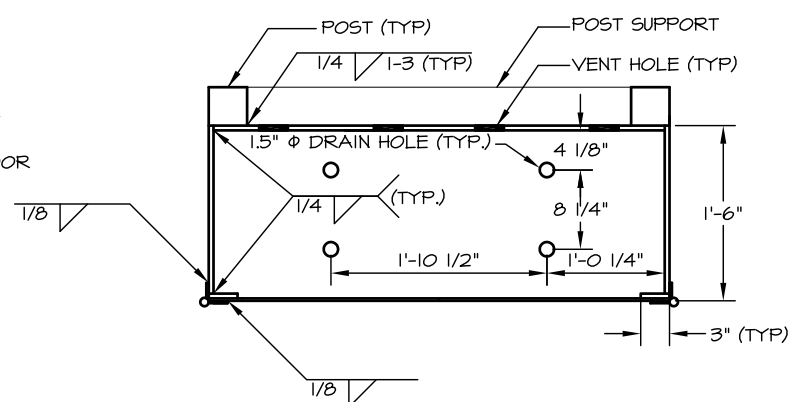


FOR INFORMATIONAL USE ONLY
Alaska State Parks



- NOTES:
1. ALL MATERIAL SHALL BE 1/2" T6061 ALUMINUM PLATE UNLESS NOTED OTHERWISE.
 2. ALL HINGES SHALL BE 4" x 4" x 1/8" ALUMINUM BUTT HINGES.
 3. LOCKABLE L-HANDLE CAM LATCH SHALL BE ZINC CAST WITH CHROME FINISH. CAM LATCH SHALL ATTACH TO HANDLE PROVIDING A 90° LOCKING MOTION.
 4. CAM LATCH SHALL BE RUBBER-COATED WHERE IT MAY COME IN CONTACT W/ THE CAM REST.

1	UPDATED STATE PARK LOGO	12/10	MPS
NO.	REVISION	DATE	APPROVED

STATE OF ALASKA DEPARTMENT OF NATURAL RESOURCES

KIDS DON'T FLOAT KIOSK, TYPE B

DESIGN & CONSTRUCTION SECTION



PREPARED: JSG
DRAWN: JSG / JAS
REVIEWED: MPS
DATE: 02/23/07

SHEET 1

S-12B

OF 1 SHEETS